



***Directional Signs***

***Design Services***

***Custom Signage***





***Promotional***

***Apparel***

***Frames***

***Riders***

***& Much More!***

-  501 W. Industrial Ave
-  Email : sales@centurygs.com
-  Website : centurygs.com
-  Phone : 800.228.4467  
432.686.8244

***Real Estate***  
***Signage***

# About Us

***FAST SHIPPING, QUALITY PRODUCTS, LOWER PRICES.***

CENTURY GRAPHICS AND SIGN IS A COMPANY THAT IS DEDICATED TO SAFETY, SERVICE AND QUALITY IN THE SIGN INDUSTRY. WE UNDERSTAND THAT EVERY DETAIL IS IMPORTANT AND WE ARE DEDICATED TO PROVIDING OUR CUSTOMERS WITH A SUPERIOR LEVEL OF SERVICE. OUR IN-HOUSE MANUFACTURING GIVES US THE ABILITY TO MONITOR OUR PRODUCTION PROCESS AND MAINTAIN HIGH QUALITY STANDARDS THROUGHOUT. WE STILL BELIEVE IN CUSTOMER SERVICE AND WILL PROVIDE PRODUCTS THAT WILL ONLY ENHANCE YOUR PROFESSIONAL IMAGE AND STAND OUT AMONG YOUR COMPETITORS.

WE ARE NOT LIMITED TO THE PRODUCTS OFFERED ON THESE PAGES, WE ARE CAPABLE OF PRODUCING ANY TYPE OF CUSTOM SIGN, APPAREL OR PROMOTIONAL PRODUCT.

**CUSTOM WORDING, SIZES, COLORS, AND SHAPES ON ANY PRODUCT!**

ALL ART IS CUSTOM MADE BY OUR IN-HOUSE TEAM OF GRAPHIC ARTISTS. LET US HELP YOU DESIGN THE SIGN OR LOGO THAT WILL SET YOUR COMPANY APART!

***CALL OR EMAIL TODAY TO SEE THE EXTENT OF OUR CAPABILITIES!***

## **EASY ORDERING**

Office 432.686.8244

Toll Free 1.800.228.4467

Fax 432.686.9905

Email [Sales@centurygs.com](mailto:Sales@centurygs.com)

501 W. Industrial Ave.  
Midland, Texas 79701  
[www.centurygs.com](http://www.centurygs.com)



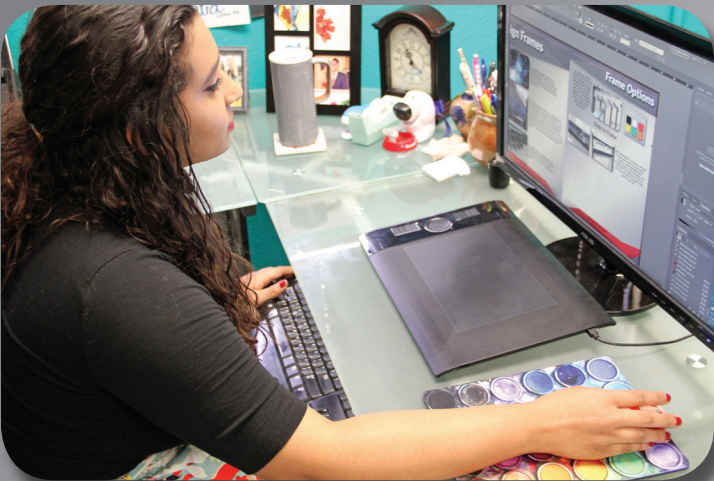
# Table of Contents

<b>INTRODUCTION.....</b>	<b>PG. 1</b>
<b>ART DEPARTMENT.....</b>	<b>PG. 4</b>
<b>OUR PROCESS.....</b>	<b>PG. 5</b>
<b>SIGNS.....</b>	<b>PG. 6-7</b>
•COROPLAST	
•.040, .063, .080 ALUMINUM	
•ALU PANELS	
•REFLECTIVE SIGNS	
<b>SIGN SERIES.....</b>	<b>PG. 8-9</b>
<b>SIGN FRAMES.....</b>	<b>PG. 10</b>
<b>FRAME OPTIONS.....</b>	<b>PG. 11</b>
•BOLT IN FRAMES	
•SLIDE IN FRAMES	
•COMBO FRAMES	
<b>STOCK RIDERS.....</b>	<b>PG. 12-13</b>
<b>COMMERCIAL SIGNAGE.....</b>	<b>PG. 14-15</b>
•PORTABLE FRAMES	
•DRIVE IN FRAMES	
<b>BANNERS &amp; FEATHER FLAGS.....</b>	<b>PG. 16</b>
<b>SANDWICH BOARDS.....</b>	<b>PG. 17</b>
<b>PROMOTIONAL PRODUCTS.....</b>	<b>PG. 18-19</b>
•PENS	
•KEYCHAINS	
•MAGNETS	
•STATIONARY PROMOTIONAL ITEMS	
<b>APPAREL.....</b>	<b>PG. 20-21</b>
<b>PRICING.....</b>	<b>PG. 22-23</b>



# Art Department

LET OUR EXPERIENCED GRAPHIC ARTISTS CREATE A NEW LOGO AND SIGN LAYOUT FOR YOU!



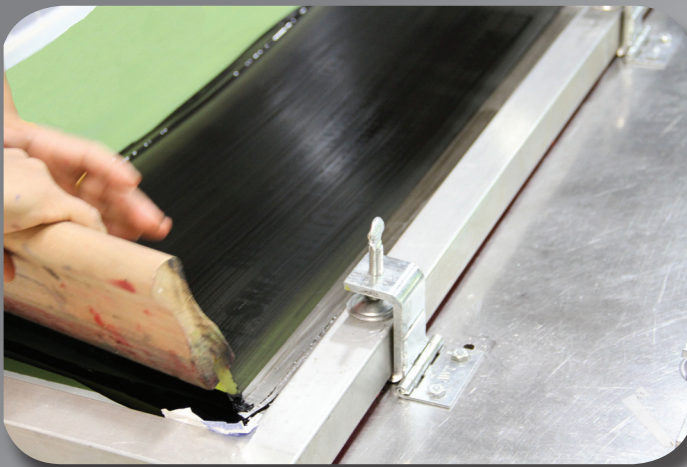
**AT CENTURY, WE CAN REPRODUCE YOUR CURRENT SIGNAGE ART OR ONE OF OUR TALENTED GRAPHIC ARTISTS CAN CREATE AND CUSTOM DESIGN SOMETHING FOR YOU! OUR GOAL IS TO MAKE IT EASY AND CONVENIENT FOR YOU! YOU CAN EMAIL YOUR IDEAS OR SCHEDULE YOUR APPOINTMENT WITH OUR DESIGN SPECIALISTS TO CREATE YOUR CUSTOM DESIGN!**

**CALL TO SCHEDULE YOUR APPOINTMENT TODAY!**



# Our Process

**CENTURY'S SCREEN PRINTED SIGNAGE IS DONE USING A THERMO ACRYLIC ENAMEL HIGH SOLIDS SOLVENT BASED INK. THE PRINTED SIGN IS THEN PLACED IN AN CONVEYORIZED CURING SYSTEM WHERE THE PRINT IS BAKED ON, RESULTING IN AN EXTREMELY DURABLE FINISH.**



**CENTURY INCORPORATES OUR STATE OF THE ART FLAT BED DIGITAL PRINTERS WHEN PRINTING PHOTOGRAPHS OR EXTREMELY COMPLEX DESIGNS. IT IS ALSO USED ON RUNS OF SMALLER QUANTITY ORDERS. OUR FLAT BED DIGITAL PRINTERS USE A SOLVENT BASED INK THAT IS UV CURED AND ARE LAMINATED AFTER THE PRINTING PROCESS TO ENSURE OUTDOOR DURABILITY.**



# Signs



## **COROPLAST:**

NEED SOMETHING MORE TEMPORARY? NO PROBLEM! OUR COROPLAST SIGNS ARE THE ANSWER! MADE OUT OF CORRUGATED PLASTIC, THESE SIGNS ARE LIGHTWEIGHT, MOISTURE PROOF AND OUTDOOR DURABLE. THE WIRE STAKES MAKE THEM EASY TO INSTALL AND RELOCATE!



## **.040 ALUMINUM:**

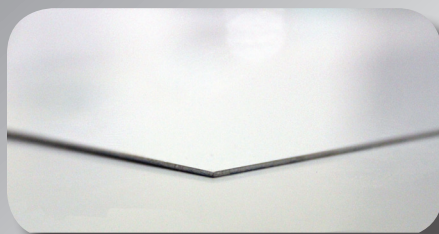
OUR .040 ALUMINUM SIGN PANELS HAVE A BAKED ENAMEL FINISH. THIS TYPE OF PANEL GIVES YOU YEARS OF OUTDOOR DURABILITY ALONG WITH A RUST PROOF FINISH.



## **.063 ALUMINUM:**

WITH THE SAME DURABILITY AND LIFE EXPECTANCY AS OUR .040 ALUMINUM, .063 IS A THICKER ALUMINUM PANEL. IDEAL FOR COMMERCIAL SIGNAGE OR SWINGING SIGNS.

## COMMERCIAL SIGNAGE MATERIAL



## **.080 ALUMINUM**

WITH THE SAME DURABILITY OF .040 AND .063, .080 ALUMINUM IS A THICKER OPTION THAT IS DURABLE, RUST FREE, AND ANOTHER GOOD OPTION FOR SWINGING OR COMMERCIAL SIGNAGE.



## **ALU PANEL:**

A DOUBLE SIDED ALUMINUM WITH A SOLID POLYETHYLENE CORE, THIS MATERIAL IS THE THICKEST OPTION AVAILABLE. THIS EXTREMELY DURABLE MATERIAL IS IDEAL FOR LARGE FORMAT COMMERCIAL SIGNS OR HANGING SIGNS. A GREAT AND DURABLE CHOICE FOR BOTH SWINGING AND LARGER FORMAT COMMERCIAL SIGNAGE.



**REFLECTIVE MATERIAL IS AVAILABLE UPON REQUEST. REFLECTIVE MATERIAL ALLOWS YOU TO ADVERTISE NOT ONLY IN THE DAY, BUT AT NIGHT AS WELL! A GREAT AND DURABLE CHOICE FOR BOTH SWINGING AND LARGER FORMAT COMMERCIAL SIGNAGE.**



**ASK ABOUT OUR NEW AGENT BUNDLE!**

**BUSINESS CARDS**      **SIGNS**      **RIDER**      **FRAME**

**-MINIMUM OF 5 SIGNS PER BUNDLE**

## COVER UP DECALS

**NEED TO CHANGE YOUR SIGN?  
NO PROBLEM!  
CENTURY OFFERS COVER UP  
DECALS. IT IS A QUICK AND  
ECONOMICAL WAY TO CHANGE  
YOUR SIGN WITHOUT HAVING  
TO REPLACE IT!**

# Sign Series

## THE ALLEGIANT SERIES



101A



101B



101C

- » 18 X 36 MAIN PANEL
- » CHOICE OF 1 OR 2 ADDITIONAL 18X6 RIDERS
- » RIDERS SOLD SEPARATELY
- » PANEL-ONLY OPTION AVAILABLE IN EACH ITEM
- » FRAME-ONLY OPTION AVAILABLE IN EACH ITEM

## THE LIBERTY SERIES



102A



102B



102C

- » 24 X 36 MAIN PANEL
- » CHOICE OF 1 OR 2 ADDITIONAL 24X6 RIDERS
- » RIDERS SOLD SEPARATELY
- » PANEL-ONLY OPTION AVAILABLE IN EACH ITEM
- » FRAME-ONLY OPTION AVAILABLE IN EACH ITEM

\*SEE PAGE 22-23 FOR PRICING



**ALL SIZES ARE AVAILABLE IN STEEL OR ALUMINUM.**

**THE FREEDOM SERIES**

- » 24X18 MAIN PANEL
- » CHOICE OF 1 OR 2 ADDITIONAL 24X6 RIDERS
- » RIDERS SOLD SEPARATELY
- » PANEL-ONLY OPTION AVAILABLE IN EACH ITEM
- » FRAME-ONLY OPTION AVAILABLE IN EACH ITEM



**103A**



**103B**



**103C**

**THE JUSTICE SERIES**

- » 24X24 MAIN PANEL
- » CHOICE OF 1 OR 2 ADDITIONAL 24X6 RIDERS
- » RIDERS SOLD SEPARATELY
- » PANEL-ONLY OPTION AVAILABLE IN EACH ITEM
- » FRAME-ONLY OPTION AVAILABLE IN EACH ITEM



**104A**



**104B**



**104C**

**THE INDEPENDENCE SERIES**

- » 30X20 MAIN PANEL
- » CHOICE OF 1 OR 2 ADDITIONAL 30X6 RIDERS
- » RIDERS SOLD SEPARATELY
- » PANEL-ONLY OPTION AVAILABLE IN EACH ITEM
- » FRAME-ONLY OPTION AVAILABLE IN EACH ITEM



**105A**



**105B**



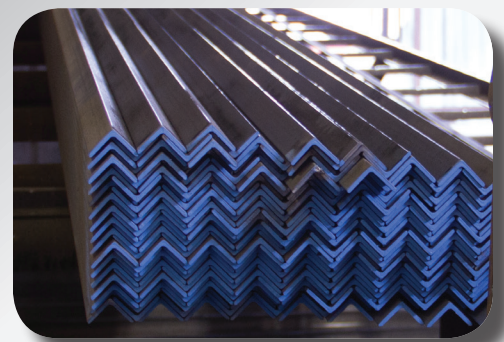
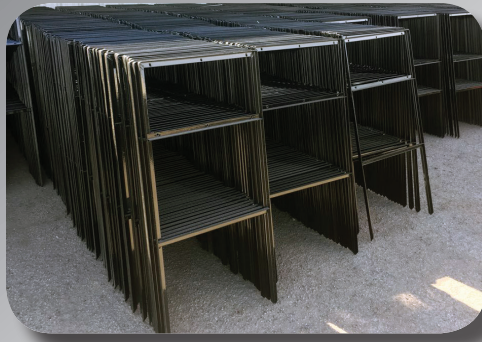
**105C**

\*SEE PAGE 22-23 FOR PRICING

# Sign Frames

**AT CENTURY, WE PRIDE OURSELVES IN MANUFACTURING THE BEST REAL ESTATE FRAMES AROUND. ALL OF OUR FRAMES ARE MANUFACTURED IN-HOUSE BY OUR EXPERT WELDERS, WITH THE EMPHASIS PLACED ON OUR QUALITY.**

**IN A HURRY? WE UNDERSTAND THAT THINGS HAPPEN AND WE CAN GET YOUR ORDER TO YOU FASTER. WITH FRAMES IN STOCK AND READY, WE CAN FULFILL YOUR ORDERS QUICKLY!**



**EVERYTHING IS BIGGER IN TEXAS Y'ALL, INCLUDING OUR 1" ALUMINUM OR STEEL ANGLE, NOT THE STANDARD 3/4" OR 1/2" ANGLE USED BY OUR COMPETITORS. WE WILL ALWAYS GO THE EXTRA MILE TO GIVE YOU, OUR VALUED CUSTOMER, A QUALITY PRODUCT ALONG WITH MAXIMUM DURABILITY, OUR FRAMES ARE DESIGNED FOR YEARS OF USE IN HARSH OUTDOOR CONDITIONS. WE DIDN'T STOP THERE, ALL OF OUR FRAMES HAVE POINTED LEG TIPS TO PROVIDE A QUICK, EASY AND EFFORTLESS INSTALLATION WHEREVER YOU NEED THEM!**



**ALL OUR REAL ESTATE FRAMES COME STANDARD WITH A DURABLE BLACK POWDER COATED FINISH, OTHER COLOR OPTIONS ARE AVAILABLE UPON REQUEST. THE POWDER COATING ADDS A HIGHER QUALITY GLOSS FINISH AND LONGER LIFE EXPECTANCY.**



# Frame Options

## Slide-In Frame



THE CONVENIENT "SLIDE-IN" OPTION IS AVAILABLE ONLY IN OUR STEEL FRAMES. THIS ENHANCEMENT ALLOWS SIGNS TO BE CHANGED OUT WITHOUT THE HASSLE OF BOLTS! YOU WILL BE ABLE TO SLIDE YOUR SIGN IN AND GO!

**\*OFFERED IN STEEL FRAMES ONLY**

## Bolt-In Frame



THESE FRAMES ARE DESIGNED FOR THE SIGN PANELS TO BE BOLTED IN THE FRAME, REQUIRING PROPER HARDWARE AND TOOLS.

**\*OFFERED IN BOTH ALUMINUM AND STEEL FRAMES**

## Combo Frames



THESE FRAMES ARE DESIGNED SO THAT THE MAIN PANEL CAN BE BOLTED IN WHILE THE SIGN RIDER SPOTS ARE FOR SLIP IN INSTALLATION.

**\*OFFERED IN STEEL FRAMES ONLY**

## ***CENTURY LITE ALUMINUM FRAMES***

OUR CENTURY LIGHT FRAMES ARE MANUFACTURED FROM HIGH STRENGTH, LIGHT WEIGHT 1" ANGLE ALUMINUM. THESE FRAMES, ALONG WITH A POWDER COAT FINISH, GIVE OUR CUSTOMERS A LIGHT WEIGHT, YET DURABLE FRAME OPTION.

**\*SEE PAGE 22-23 FOR PRICING**

# Stock Riders

		Ask For 	____ UNITS	____ ACRES
201	202	204	205	206
____ SQUARE FT.	\$0 CASH NEEDED	1 BEDROOM	2 CAR GARAGE	2 BATH
207	208	209	210	211
2 BEDROOMS	2.5 BATH	3 BATH	3 LIVING AREAS	4 BEDROOM
212	213	214	215	216
5 BEDROOMS	BANK OWNED	BOAT SLIP	BUILD TO SUIT	BUYER INCENTIVE
217	218	219	220	221
BY APPOINTMENT ONLY	CREEK LOT	CUSTOM HOME	CONTRACT PENDING	DARE TO COMPARE
222	223	224	225	226
DO NOT DISTURB OCCUPANTS	MULTIPLE UNITS	DUPLEX	FABULOUS INTERIOR	FAMILY ROOM
227	228	229	230	231
FINANCING PENDING	FINISHED BASEMENT	FIREPLACE	FIXER UPPER	FOR LEASE
232	233	234	235	236
FOR RENT	FOR SALE	FURNISHED	GOLF COURSE	GONE!
237	234	235	236	237
GREAT BUY!	GUEST HOUSE	HOME FOR SALE	HOME INSPECTED	HOME OFFICE
234	235	236	237	234
HOME OPEN	HORSE PROPERTY	HOT TUB	I'M ADORABLE INSIDE	I'M BEAUTIFUL INSIDE
235	236	237	238	239
I'M GORGEOUS INSIDE	IMMEDIATE OCCUPANCY	IMPRESSIVE!	IN ESCROW	JUST LISTED
240	241	242	243	244
LAKE FRONT	LAND	LAND CONTRACT	LARGE LOT	LEASE OPTION
245	246	247	248	249

\*SEE PAGE 22-23 FOR PRICING







***CUSTOMIZE IT!***

**DON'T SEE THE WORDING YOU'RE LOOKING FOR?**

CUSTOM SIGNAGE IS OUR SPECIALTY AND WE'RE HAPPY TO  
 CREATE ANY PRODUCT TO SUIT YOUR NEEDS.  
 CALL OR EMAIL US TO GET YOUR CUSTOM SIGN STARTED TODAY!

# Commercial Signage

**CENTURY OFFERS THE SAME QUALITY IN LARGE FORMAT SIGNS FOR ALL YOUR COMMERCIAL REAL ESTATE NEEDS. ALL FRAMES CAN BE CUSTOMIZED IN BUILD AND COLOR (SEE PAGE 10) SPECIFIC TO YOUR NEEDS.**

## PORTABLE FRAMES

**ALL OF OUR PORTABLE FRAMES CAN BE ANCHORED WITH POINTED 8" STAKES DRIVEN INTO THE GROUND. THESE ARE INCLUDED WITH EACH FRAME ORDERED!**



## DRIVE-IN AND PLANTED FRAMES

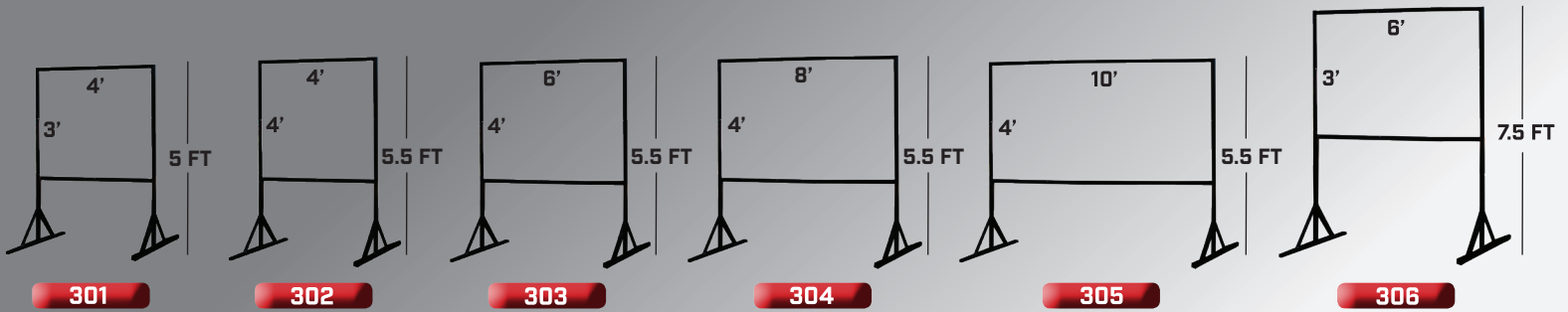
**THESE FRAMES HAVE POINTED LEGS TO EASILY DRIVE INTO THE GROUND.**



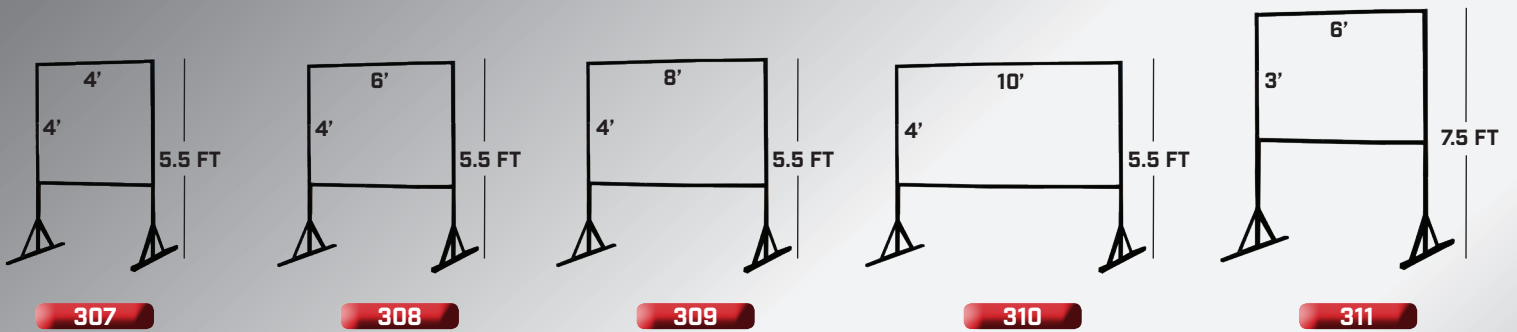
**\*SEE PAGE 22-23 FOR PRICING**



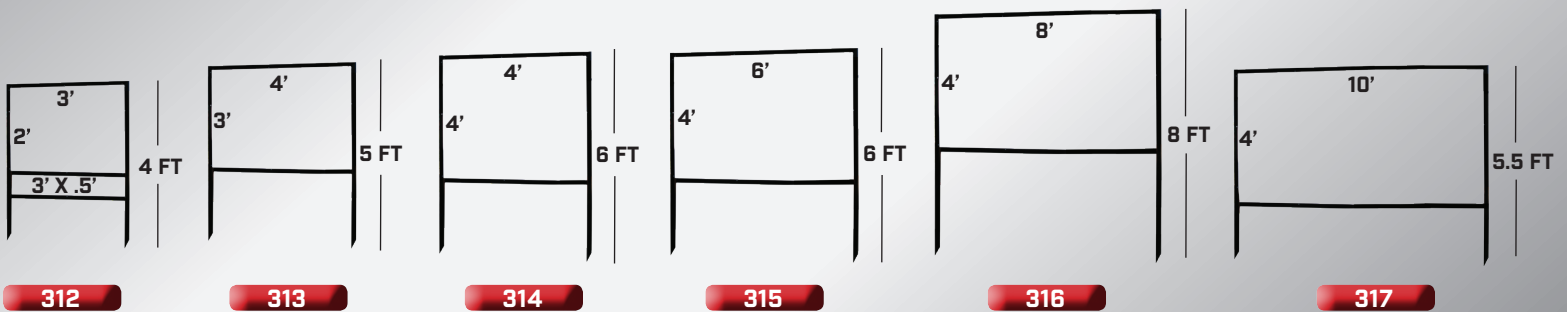
## PORTABLE FRAMES (1.5" ANGLE IRON)



## PORTABLE FRAMES (1.5" SQUARE TUBING)



## DRIVE-IN AND PLANTED FRAMES



\*SEE PAGE 22-23 FOR PRICING

# Banners

WHEN A SIGN DOES NOT ALLOW YOU TO ADVERTISE YOUR SPACE, A BANNER MIGHT BE THE ANSWER. OUR VINYL BANNERS ARE COMPLETELY CUSTOMIZABLE AND CAN BE MADE AT ANY SIZE YOU NEED!

\*SEE PAGE 23 FOR PRICING

WE PRINT EACH PRODUCT, NO MATTER THE SIZE OR DESIGN, WITH UV RESISTANT, SOLVENT BASED INKS. INCREASING THE LONGEVITY AND ALLOWING THE BANNER TO WITHSTAND EVEN THE HARSHTEST OF OUTDOOR CONDITIONS. WE ALSO OFFER MESH BANNER THAT ALLOWS EVEN THE STRONGEST WINDS TO FLOW THROUGH THE BANNER WITHOUT DAMAGING IT.



## Feather Flags

ATTRACT BUYERS TO YOUR NEXT OPEN HOUSE WITH CUSTOMIZABLE FEATHER FLAGS! EACH FLAG IS PRINTED ON THE HIGHEST QUALITY MATERIALS, AND CAN BE SEEN FROM MILES AWAY!

FIND THE FLAG THAT FITS YOUR BUSINESS AND START MAKING MORE MONEY NOW! CONTACT US FOR MORE INFO ABOUT CUSTOM FLAGS.

CALL FOR A QUOTE TODAY!





# Sandwich Boards

**OUR PLASTIC SANDWICH BOARDS ARE THE PERFECT FIT FOR ANY BUSINESS IN NEED OF ADVERTISING WITH PORTABILITY, DURABILITY, AND VARIABILITY!**



# Double Sided Corrugated Signs

## WIRE STEP STAKES

**WIRE SLIPS INSIDE CORRUGATED PANEL FLUTES TO ALLOW GRAPHICS TO BE SEEN ON BOTH SIDES!**



## STOCK 18" X 24"



\*SEE PAGE 22-23 FOR PRICING

# Promotional Products

WE OFFER THOUSANDS OF CUSTOMIZABLE ITEMS PERFECT FOR PROMOTING YOUR TEAM! DON'T SEE THE PRODUCT YOU NEED? CONTACT ONE OF OUR CUSTOMER CARE SPECIALISTS TO FIND THE PERFECT PRODUCT FOR YOU.



**CUSTOMIZE YOUR FAVORITE CAR ACCESSORIES!**

**CAR MAGNETS • CAR RTA'S • KEYCHAINS**

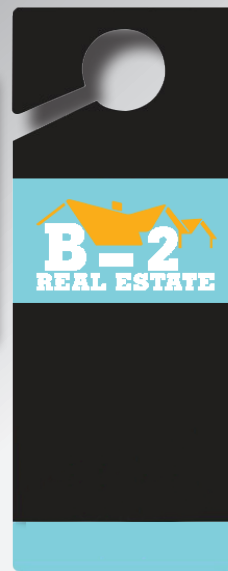


**CALL FOR A QUOTE TODAY!**



•MAGNETIC CALENDARS •STICKY CALENDARS •MAGNETIC TO-DO PADS •BUSINESS CARDS  
 •POST CARDS •DOOR HANGERS •BUSINESS CARD TO-DO PADS •STICKY NOTES  
 •AND MUCH MORE!

**ORDER YOUR STATIONARY PROMO ITEMS TODAY!**



**SOLD!  
 CLOSING GIFTS**



**WALL MOUNT BROCHURE HOLDER**



# Apparel

LET CENTURY HELP YOU MAKE YOUR FIRST IMPRESSION COUNT! NIKE, NORTHFACE, GAME GUARD, AND ADIDAS ARE ONLY FEW OF THE MANY NAME BRAND PRODUCTS WE OFFER. ALL ITEMS CAN BE EMBROIDERED OR PRINTED WITH YOUR FULLY CUSTOMIZED DESIGN!





**CUSTOM HATS ARE A GREAT HAND OUT TO YOUR POTENTIAL CUSTOMERS AND EMPLOYEES! WITH HUNDREDS OF THREAD OPTIONS AVAILABLE, WE CAN MAKE YOUR TEAM TRULY STAND OUT!**



**ADVERTISE YOUR TEAM WITH OUR PUFF EMBROIDERY, OR WITH OUR NEW PATCH EFFECT!**



**PUFF EFFECT**



**PATCH EFFECT**

**NEED HELP DESIGNING YOUR ITEMS? NO PROBLEM! OUR TEAM OF GRAPHIC ARTISTS CAN ASSIST YOU IN CREATING A DESIGN THAT WILL HELP YOU STAND OUT! CONTACT OUR CUSTOMER CARE SPECIALISTS TO START YOUR ORDER TODAY!**

	ITEM #	MATERIAL	5-12	13-25	26-49	50-99	100+
THE ALLEGIANCY SERIES	101A	STEEL	\$81.08	\$72.80	\$69.44	\$66.08	\$60.48
	101A-A	ALUMINUM	\$81.08	\$72.80	\$69.44	\$66.08	\$60.48
	FRAME ONLY OPTION		\$48.16	\$43.68	\$41.44	\$39.20	\$35.84
	101B	STEEL	\$84.17	\$76.16	\$71.68	\$72.80	\$62.72
	101B-A	ALUMINUM	\$84.17	\$76.16	\$71.68	\$72.80	\$62.72
	FRAME ONLY OPTION		\$50.40	\$45.92	\$42.56	\$41.44	\$38.08
	101C	STEEL	\$87.92	\$79.52	\$75.04	\$71.68	\$66.08
	101C-A	ALUMINUM	\$87.92	\$79.52	\$75.04	\$71.68	\$66.08
	FRAME ONLY OPTION		\$52.64	\$48.16	\$44.80	\$42.56	\$39.20
	PANEL ONLY 18"X36"		\$52.64	\$48.16	\$44.80	\$42.56	\$39.20
THE LIBERTY SERIES	102A	STEEL	\$85.96	\$77.28	\$72.80	\$70.56	\$64.96
	102A-A	ALUMINUM	\$85.96	\$77.28	\$72.80	\$70.56	\$64.96
	FRAME ONLY OPTION		\$51.52	\$45.92	\$43.68	\$42.56	\$39.20
	102B	STEEL	\$89.38	\$80.64	\$76.16	\$72.80	\$67.20
	102B-A	ALUMINUM	\$89.38	\$80.64	\$76.16	\$72.80	\$67.20
	FRAME ONLY OPTION		\$53.76	\$48.16	\$45.92	\$43.68	\$40.32
	102C	STEEL	\$92.68	\$82.88	\$78.40	\$75.04	\$69.44
	102C-A	ALUMINUM	\$92.68	\$82.88	\$78.40	\$75.04	\$69.44
	FRAME ONLY OPTION		\$56.00	\$49.28	\$47.04	\$44.80	\$41.44
	PANEL ONLY 24"X36"		\$56.00	\$49.28	\$47.04	\$44.80	\$41.44
THE FREEDOM SERIES	103A	STEEL	\$48.50	\$44.00	\$41.00	\$40.00	\$36.00
	103A-A	ALUMINUM	\$48.50	\$44.00	\$41.00	\$40.00	\$36.00
	FRAME ONLY OPTION		\$32.48	\$29.12	\$28.00	\$26.88	\$24.64
	103B	STEEL	\$57.85	\$51.52	\$49.28	\$47.04	\$43.68
	103B-A	ALUMINUM	\$57.85	\$51.52	\$49.28	\$47.04	\$43.68
	FRAME ONLY OPTION		\$34.72	\$31.36	\$29.12	\$28.00	\$25.75
	103C	STEEL	\$61.54	\$54.88	\$52.64	\$50.40	\$45.92
	103C-A	ALUMINUM	\$61.54	\$54.88	\$52.64	\$50.40	\$45.92
	FRAME ONLY OPTION		\$36.96	\$32.48	\$31.36	\$30.24	\$28.00
	PANEL ONLY 24"X18"		\$36.96	\$32.48	\$31.36	\$30.24	\$28.00
THE JUSTICE SERIES	104A	STEEL	\$61.76	\$56.00	\$52.64	\$50.40	\$45.92
	104A-A	ALUMINUM	\$61.76	\$56.00	\$52.64	\$50.40	\$45.92
	FRAME ONLY OPTION		\$36.96	\$33.60	\$31.36	\$30.24	\$28.00
	104B	STEEL	\$65.24	\$58.24	\$56.00	\$53.76	\$49.28
	104B-A	ALUMINUM	\$65.24	\$58.24	\$56.00	\$53.76	\$49.28
	FRAME ONLY OPTION		\$39.20	\$34.72	\$33.60	\$32.48	\$29.12
	104C	STEEL	\$70.00	\$62.72	\$59.36	\$57.12	\$52.64
	104C-A	ALUMINUM	\$70.00	\$62.72	\$59.36	\$57.12	\$52.64
	FRAME ONLY OPTION		\$42.56	\$38.08	\$35.84	\$34.72	\$31.36
	PANEL ONLY 24"X24"		\$42.56	\$38.08	\$35.84	\$34.72	\$31.36
THE INDEPENDENCE SERIES	105A	STEEL	\$81.20	\$72.80	\$69.44	\$66.08	\$60.48
	105A-A	ALUMINUM	\$81.20	\$72.80	\$69.44	\$66.08	\$60.48
	FRAME ONLY OPTION		\$49.28	\$43.68	\$41.44	\$39.20	\$35.84
	105B	STEEL	\$84.28	\$76.16	\$71.68	\$69.44	\$62.72
	105B-A	ALUMINUM	\$84.28	\$76.16	\$71.68	\$69.44	\$62.72
	FRAME ONLY OPTION		\$50.40	\$45.92	\$42.56	\$41.44	\$38.08
	105C	STEEL	\$87.92	\$79.52	\$75.04	\$71.68	\$66.08
	105C-A	ALUMINUM	\$87.92	\$79.52	\$75.04	\$71.68	\$66.08
	FRAME ONLY OPTION		\$52.64	\$48.16	\$44.80	\$42.56	\$39.20
	PANEL ONLY 24"X24"		\$52.64	\$48.16	\$44.80	\$42.56	\$39.20

MAGNETICS			
SIZE	1-14	15-49	50+
8"x12"	\$15.05	\$13.55	\$12.04
8"x16"	\$20.07	\$17.05	\$16.06
8"x24"	\$30.10	\$25.59	\$24.08
9"x12"	\$16.93	\$14.39	\$13.55
12"x18"	\$33.86	\$28.78	\$27.09
18"x24"	\$53.22	\$45.23	\$42.58

\*Vehicle Magnets Should Not Be Left On For Prolonged Periods Of Time, As It Could Result In Damage To The Vehicle Finish.

SANDWICH BOARDS	
COLOR OPTIONS	PRICING
WHITE, YELLOW, BLACK	\$185.33
BLUE, GREEN, RED, ORANGE	\$221.68

\* PRICING INCLUDES PRINT ON BOTH SIDES

FULL COLOR BANNERS	
SIZE	PRICE
3'X6'	\$82.26
3'X10'	\$90.88
4'X8'	\$94.36

\*Hole placement for our signs is custom to Century made frames. Please specify hole placement if you are placing an order for existing non-Century frames.



**DOUBLE SIDED CORRUGATED SIGNS (STAKES INCLUDED)**

SIZE	1-5	6-24	25-49	50-99	100+
12"x18"	\$18.35	\$15.87	\$12.98	\$9.34	\$6.27
18"x24"	\$25.37	\$21.67	\$17.53	\$12.61	\$8.15
24"x24"	\$26.68	\$22.83	\$18.43	\$13.18	\$8.60
Stock Panels (18"x24")	\$11.76				

**COMMERCIAL FRAMES-DRIVE IN & PLANTED FRAMES**

ITEM #	MATERIAL	PRICE
312	1" ANGLE IRON STEEL	\$40.88
313	1" ANGLE IRON STEEL	\$62.16
	1.5" ANGLE IRON STEEL	\$72.24
314	1.5" ANGLE IRON STEEL	\$96.88
	1.5" SQUARE TUBING	\$129.80
315	1.5" ANGLE IRON STEEL	\$110.32
	1.5" SQUARE TUBING	\$145.10
316	1.5" ANGLE IRON STEEL	\$116.81
	1.5" SQUARE TUBING	\$175.28
317	1.5" ANGLE IRON STEEL	\$150.64
	1.5" SQUARE TUBING	\$212.46

**STOCK RIDERS**

SIZE	1-5	6-24	25-49	50-99	100+
6"x18"	\$10.64	\$8.12	\$6.88	\$6.16	\$5.43
6"x24"	\$11.76	\$9.24	\$8.00	\$7.28	\$6.55
6"x30"	\$13.72	\$11.76	\$10.52	\$9.40	\$8.34

**COMMERCIAL FRAMES-PORTABLE**

ITEM #	MATERIAL	PRICE
301	1.5" ANGLE IRON	\$93.74
302	1.5" ANGLE IRON	\$125.94
303	1.5" ANGLE IRON	\$143.80
304	1.5" ANGLE IRON	\$151.76
305	1.5" ANGLE IRON	\$195.66
306	1.5" ANGLE IRON	\$148.40
307	1.5" SQUARE TUBING	\$168.44
308	1.5" SQUARE TUBING	\$188.44
309	1.5" SQUARE TUBING	\$227.69
310	1.5" SQUARE TUBING	\$275.96
311	1.5" SQUARE TUBING	\$192.52

**CORRUGATED PLASTIC SIGNS**

SIZE	1-5	6-24	24-49	50-99	100+
36"x48" SINGLE SIDED	\$41.44	\$35.84	\$32.48	\$25.76	\$15.68
36"x48" DOUBLE SIDED	\$50.40	\$43.68	\$40.32	\$32.48	\$17.92
48"x48" SINGLE SIDED	\$54.88	\$48.16	\$43.68	\$33.60	\$20.16
48"x48" DOUBLE SIDED	\$67.20	\$58.24	\$53.76	\$43.68	\$24.64
48"x96" SINGLE SIDED	\$110.88	\$96.32	\$87.36	\$67.20	\$40.32
48"x96" DOUBLE SIDED	\$133.28	\$116.48	\$106.40	\$87.36	\$48.16

**.080 ALUMINUM**

SIZE	1-4	5-14	14-49	50+
36"x48" SINGLE SIDED	\$213.92	\$192.64	\$181.44	\$171.36
36"x48" DOUBLE SIDED	\$310.24	\$278.88	\$263.20	\$248.64
48"x48" SINGLE SIDED	\$284.48	\$256.48	\$241.92	\$227.36
48"x48" DOUBLE SIDED	\$412.16	\$370.72	\$350.56	\$329.28
48"x72" SINGLE SIDED	\$427.84	\$385.28	\$364.00	\$342.72
48"x72" DOUBLE SIDED	\$620.48	\$558.88	\$527.52	\$465.92
48"x96" SINGLE SIDED	\$570.00	\$512.96	\$484.96	\$427.84
48"x96" DOUBLE SIDED	\$826.56	\$743.68	\$702.24	\$620.48
36"x72" SINGLE SIDED	\$320.32	\$269.00	\$272.16	\$240.80
36"x72" DOUBLE SIDED	\$464.80	\$418.88	\$395.36	\$348.32

**ALU PANEL SIGNS**

SIZE	1-4	5-14	15-49	50+
48"x72" SINGLE SIDED	\$427.84	\$385.28	\$364.00	\$342.72
48"x72" DOUBLE SIDED	\$620.48	\$558.88	\$527.52	\$465.92
48"x96" SINGLE SIDED	\$570.08	\$512.96	\$484.96	\$427.84
48"x96" DOUBLE SIDED	\$826.56	\$743.68	\$702.24	\$620.48
48"x120" SINGLE SIDED	\$712.32	\$640.64	\$605.92	\$534.24
48"x120" DOUBLE SIDED	\$1032.64	\$929.60	\$878.08	\$775.04
36"x72" SINGLE SIDED	\$320.32	\$287.84	\$272.16	\$240.80
36"x72" DOUBLE SIDED	\$464.80	\$418.88	\$395.36	\$348.32

**COMMERCIAL SIGNS**

