



PIPELINE SIGNS | FLEXIBLE MARKERS | ROUND PIPE MARKERS | U-CHANNEL POSTS

PIPELINE *Products*

LANDSCAPE MARKERS | AERIAL MARKERS | TESTING STATIONS | MARKING PRODUCTS



FLEXIBLE MARKERS

Our pipeline markers are designed for outdoor durability in harsh conditions, and sharply printed with permanent UV resistant inks in bright AWWPA colors. Fully custom colors and sizes are available, along with the addition of your company logo or pictograms.



◀ Pipeline Marker Decals are 3" wide and up to 20" long and fully customizable ▶



BLUE	Potable Water
GREEN	Sewers & Drain Lines
RED	Electric Power Lines, Cables, Conduit, and Lighting Cables
ORANGE	Communication, Alarm or Signal Lines, Cables, or Conduits
YELLOW	Gas, Oil, Steam, Petroleum, or Gaseous Materials
WHITE	Proposed Excavation



Made with impact resistant UV protected fiberglass, these highly visible and easy to install stakes help to identify important areas more easily. Our stakes are flexible and bend when hit in order to protect vehicles and equipment.

STAKE DRIVERS

These drivers allow for a quick and easy install when dealing with our fiberglass markers. The open end of this tool is designed so the posts slide in and hold securely, allowing for a much smoother drive into the ground.



DOME PIPE MARKERS

Our dome markers are constructed of a durable, UV resistant thermoplastic polymer material which allows them to stand up against impact, ozone, and hydrocarbons without damage.



ROUND PIPE MARKERS

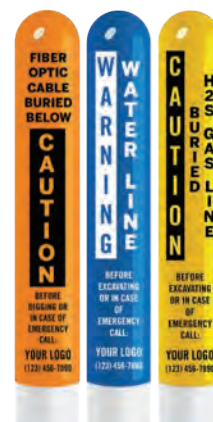
Our round pipe markers come standard with white bases, while the tops are offered in four different colors; orange, green, blue, yellow or red. With these combinations, we offer matching colored labels. However, custom label color schemes are also available upon request.

3 3/8"



Ink print, custom colored decal, or direct print

Available in three sizes: 6, 7, or 8 feet tall



WRAP AROUND PIPELINE LABELS

These pipeline wraps deliver long life performance, especially in plants with minimal heat or chemical exposure. Wrap around labels are ideal for use on dirty, oily, or rough surfaces. They can be used both indoors and outdoors and provide a full 360 view of the information. These wraps are easy to install and perfect when a quick label is needed.



COVER UP DECALS

Our fast and easy-to-apply decals make replacing old information so much easier and cost effective.

These decals are made from a durable, long lasting vinyl and are printed with UV stabilized ink to prevent them from fading over time in direct light.



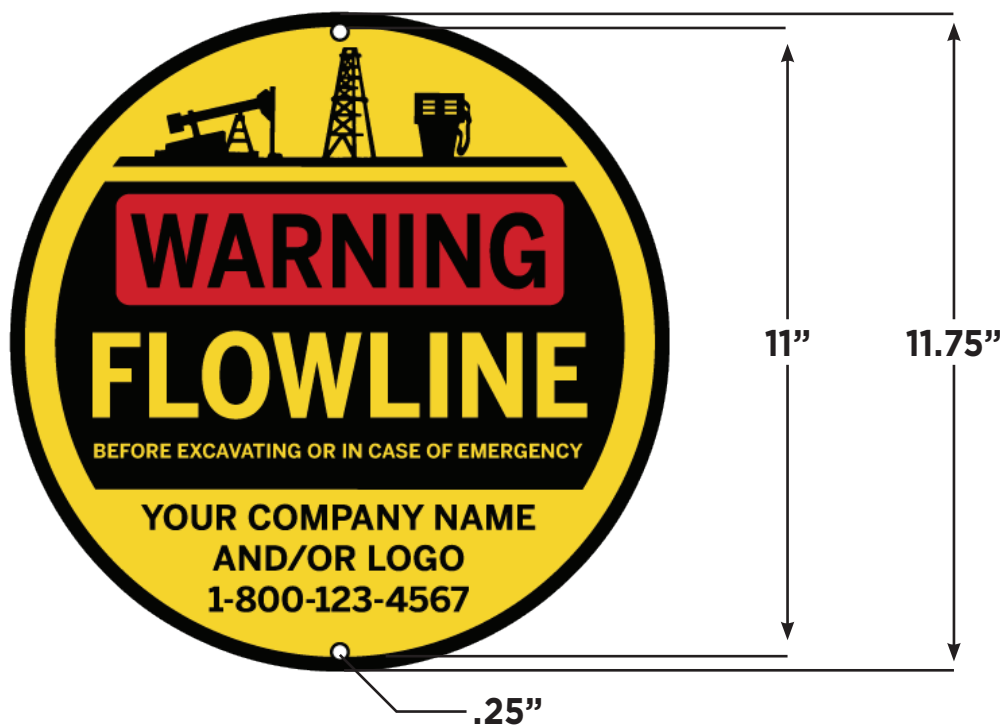
ROUND PIPE MARKERS

Our pipeline marker signs are fully customizable with your company name & contact info. With these markers, we also offer sturdy green or galvanized steel u-channel mounting posts to mount your utility signs on.

Custom sizes are available upon request.



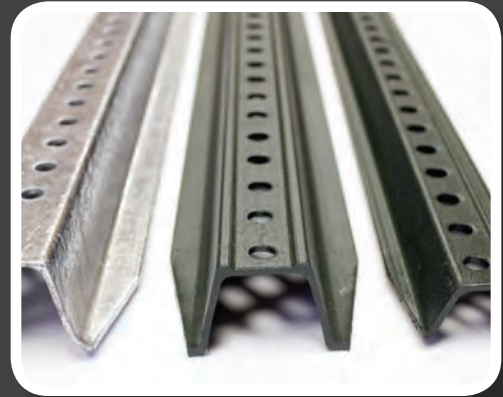
Our standard sign sizes include a rectangular 12" x 9" or a round 11 3/4" sign on .050" aluminum.



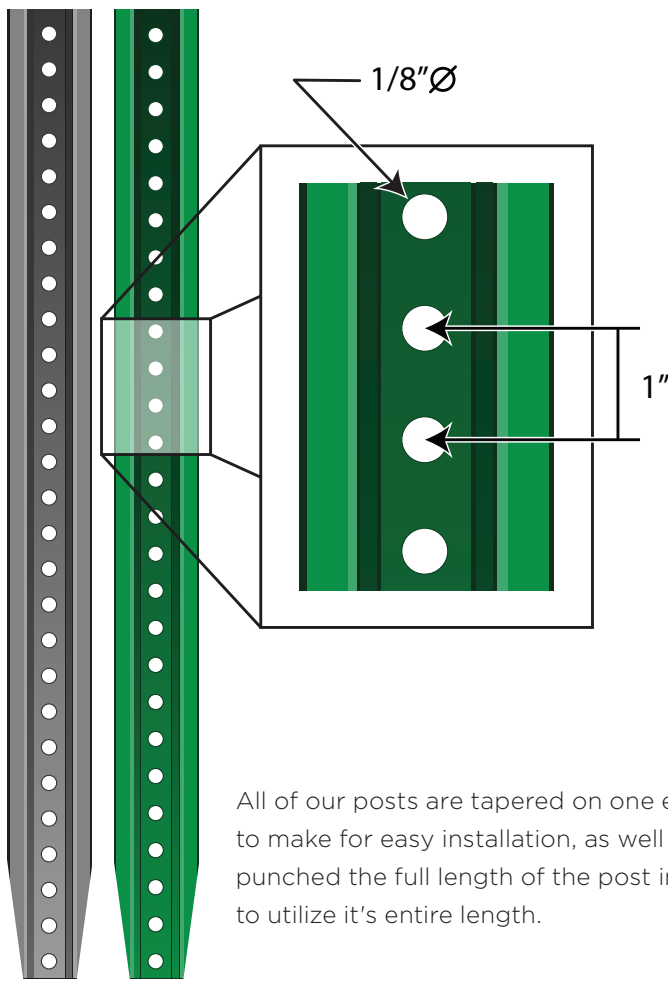
Signs can also be printed on **High Density Polyethylene (HDPE)**

U-CHANNEL POSTS

Along with our aluminum utility signs, we offer sturdy steel u-channel posts. These mounts generally come in the standard galvanized steel or green colors, but also we offer a wide variety of powder-coated color options if you want to step outside of the box. Just choose your post size and color.



Standard pole sizes include heights of 6' and 8'



All of our posts are tapered on one end to make for easy installation, as well as punched the full length of the post in order to utilize it's entire length.



Post Size	Weight	Color Options
6'	6.12 lbs	Green / Galvanized / Powder Coated
8'	16 lbs	Green / Galvanized / Powder Coated

Other sizes available upon request

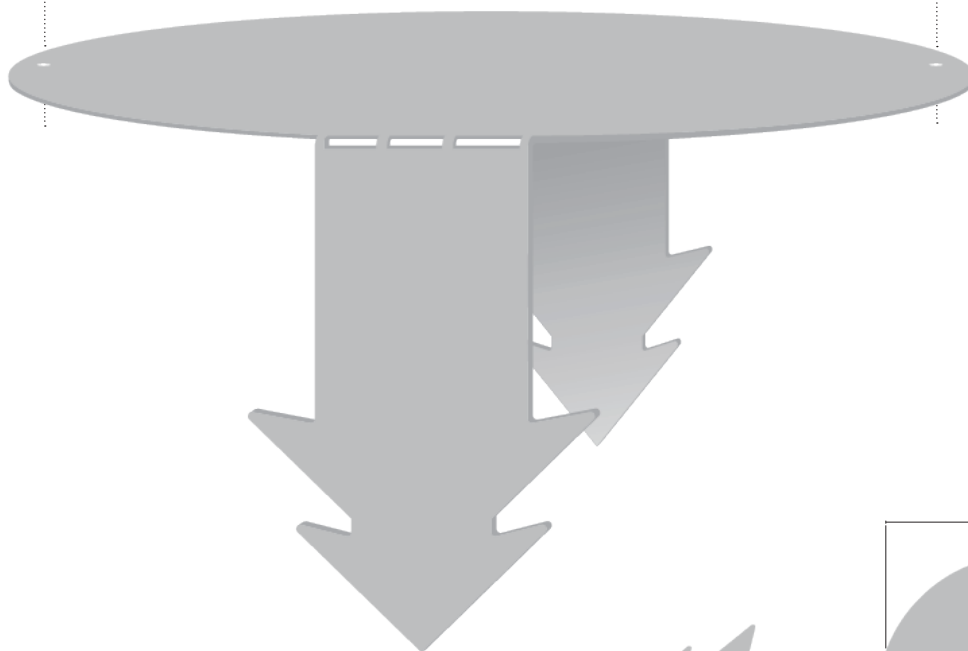
LANDSCAPE MARKERS

The Century landscape markers were designed specifically for areas where traditional line markers would be unsuitable. Your message is screen printed onto a round aluminum marker and then mounted to one of our manufactured aluminum frames.



Aluminum Utility Sign

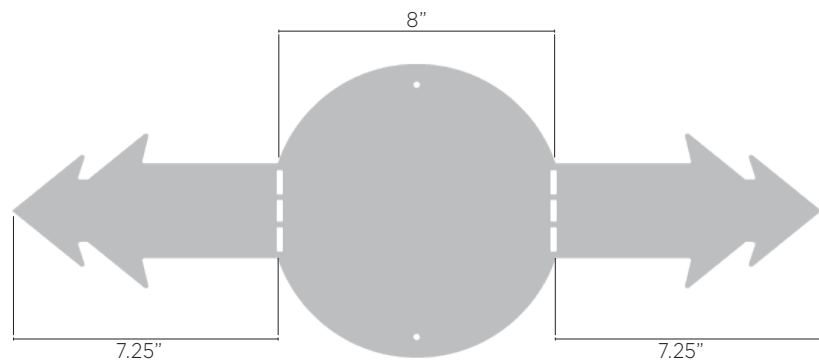
These round pipeline markers are fully customizable with your company name & contact info.



Landscape Marker Frame

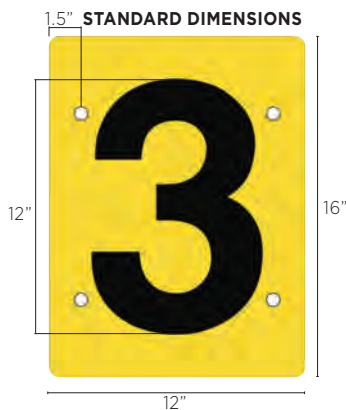
Century designs, cuts and manufactures every landscape marker in house. 0.050" aluminum is water cut to form each of our stands and round signs.

Manufactured with pointed ends, these markers are easy to install and durable enough to withstand harsh conditions and high traffic.



AERIAL MARKERS

Century aerial markers are specially designed for locating and determining the direction of pipelines and underground cables in order to maximize their visibility. This helps increase the speed and efficiency in which locating and repairing these systems take place.



STANDARD PLATES

Our standard aerial number plates are made of .050" aluminum and printed with thermo-sensitive acrylic enamel ink. We heat-cure our plates with a final clear coat to ensure outdoor durability. Our most common markers have a yellow background with black text, however, other or custom color combinations are available upon request.

Measuring 12" wide by 16" tall, these signs are up to par with the Federal Highway Administration standards and regulations.



CENTURY NO-FADE PLATE

No matter the type of ink used, all printed signs will eventually begin to fade. While the pigment in a traditional sign could last decades, aerial marker plates end up fading in only a few years due to their angles and being exposed to 60% more UV rays than traditional signs. To help prevent fading, we now offer the **Century No Fade Plates**.

These plates are fused HDPE layers creating a chemical, heat, and weather resistant product that will last decades with absolutely no fading, cracking or warping.



Brand New

42 Days Accelerated
Weather Tested

LAB TESTED

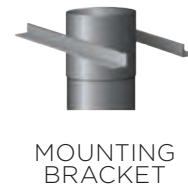
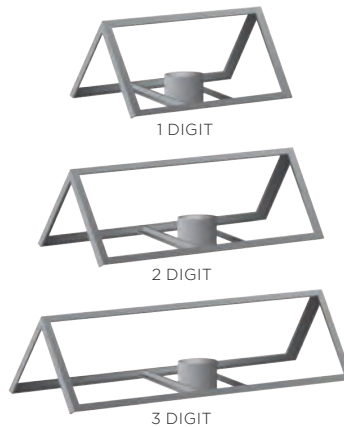
To fully test our Century No Fade Aerial Plates, we shipped samples to an independent accelerated weather testing facility. Here, certified lab technicians placed the sample into a sealed chamber and exposed it to different levels of extreme heat, cold and light. Over 1,000 hours of exposure later, our plate showed no signs of fading, warping or deteriorating.

Call your sales representative for more information about these plates today!



ANGLE AERIAL MARKER

Our angle style aerial markers are made with 6063 aluminum alloy and welded to ensure maximum durability. With new or changing information, these marker plates are easy to change out and reinstall.



GALVANIZED STEEL POLES

Our standard mounting poles are constructed from 6 foot, galvanized steel round pipe. These poles are easy to install and fit securely into our mounting brackets. 6 foot is standard, but custom pole lengths are available upon request.

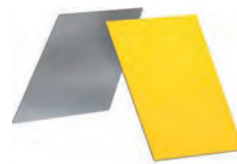
For more information regarding aerial markers and the mounting poles, please contact a sales representative today.



HALF-HEX AERIAL MARKER

Half-Hex style aerial markers feature a bent frame connected with a secure mounting bracket. Number plates are attached to the frame with aluminum rivets while our frames are securely attached to a sturdy post.

The design of the half-hex style aerial markers make it easy for transportation and storage with the capability of stacking together.



MARKER



FRAME



MOUNTING BRACKET

FRAME SIZES



3 DIGIT

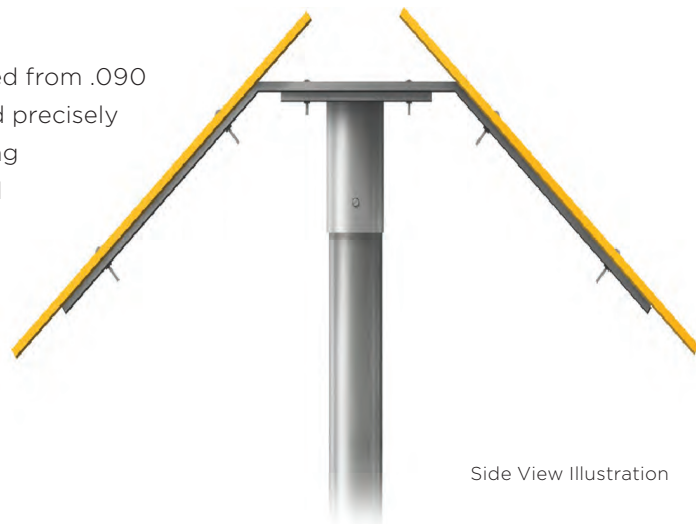


2 DIGIT



1 DIGIT

Our frames are constructed from .090 mil. finished aluminum and precisely angled to maximize viewing from land or sky. Our solid aluminum construction results in a chemical, corrosion proof product.



Side View Illustration

TESTING STATIONS

Century offers a complete line of test stations and accessories. Test stations are made for monitoring buried items and providing an outlet to alter or manipulate chemical reactions taking place between metal objects and surrounding soil. Our test stations are made from non-conductive, high impact strength, UV protected polycarbonate for maximum protection.



OPTIONS INCLUDE:

- PM-TS3** 3" test station with standard 5 stainless steel terminals
- PM-TS125** 1.25" test station with standard 2 stainless steel terminals
- PM-10BP** 1" terminator test station with up to 4 terminals
- PM-75BP** .75" terminator test station with up to 3 terminals

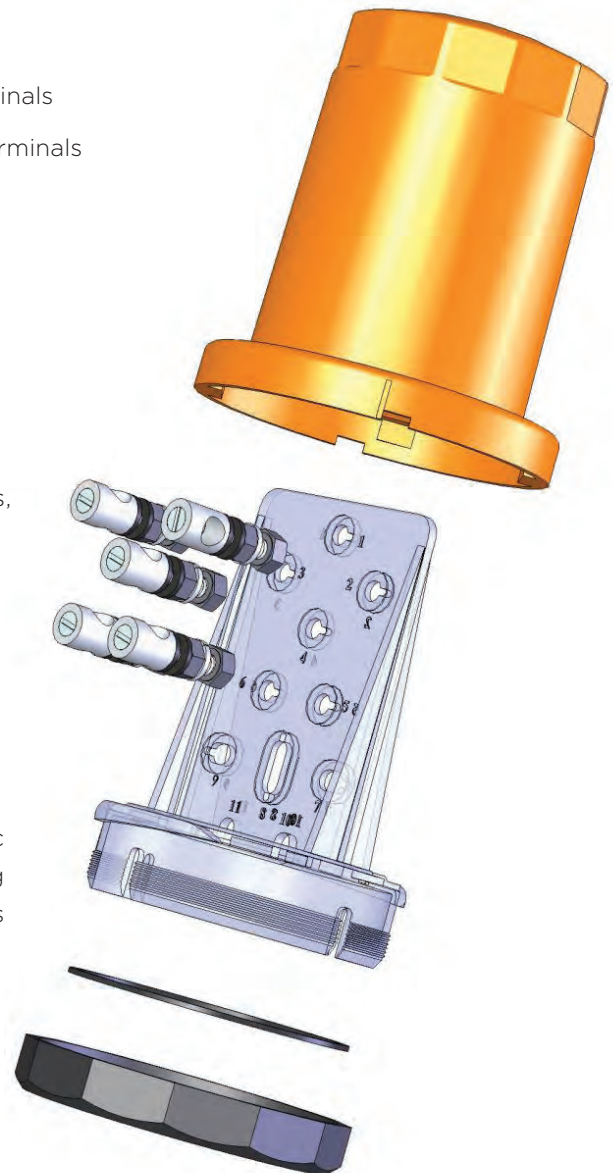
ACCESSORIES INCLUDE:

Bonding straps (shorting bars), lug terminals, Banana Jack terminals, reducers, stainless steel flange brackets, resistors, and rheostats.

PM-TS3 TEST STATION

The PM-TS3 test station is a terminal enclosure to protect cathodic protection circuits or instruments also used for bonding, grounding and other line applications in telecommunications. The PM-TS3 is molded from high impact and UV stabilized polycarbonate.

This option comes standard with five stainless steel terminals, however, this version can be ordered with a High Density Polyethylene (HDPE) support post (conduit). These posts are rated at a minimum durability of ten years outdoors and are a great addition in maximizing your test stations life expectancy.



FLAGS, TAPE & WHISKERS

Whether your marking area is above or below ground, Century offers the products you need. Each of our flagging and marking products are highly visible, with long-lasting brightness to withstand ultraviolet light over time and maximum durability to withstand harsh weather conditions.



PIN FLAGS

Pin flags are used in the industry for marking landscapes, underground utilities, sewers and surveying. Our tough, tear-resistant PVC flags allow them to withstand high winds and harsh weather conditions. Each 4x5" flag comes printed with your company's 1-color logo and information sized up to 3x3". Paired with a 15.5 gauge steel wire staff, these pin flags easily push into the ground and stand upright as long as you need.

Standard colors include:



UNDERGROUND DETECTABLE TAPE

Detectable underground warning tape is used for accurately locating and preventing damage to valuable underground utility installations. It has an aluminum backing to make underground assets easy to find using a non-ferrous locator.

When properly installed, this tape helps avoid catastrophically inaccurate digging when locating utilities such as electrical lines, gas pipes and communication cables. All tapes are printed on APWA approved colors to meet or exceed industry and OSHA standards.



HDPE WHISKERS

These safe and easy-to-spot whiskers have become a prime choice for marking buried utility lines, survey points, and even athletic fields. Trusted for their durability and flexibility, these whiskers are designed to provide maximum visibility and withstand the harshest outdoor conditions and traffic. They are easily hammered into a wooden stake or quickly fit onto a 60 penny (60d) nail.

Standard colors include:



The Energy Industry's Signage Experts



OILFIELD & LEASE SIGNS



CHEMICAL & HAZCOM



MULTIPLE SAFETY SIGNS



SAFETY SIGNS & DECALS



PIPELINE MARKERS



LOCKOUT & SAFETY TAGS

Manufacturing Facility Located In Midland, TX



CALL TOLL FREE: 1.800.228.8244
 501 W. INDUSTRIAL AVE. MIDLAND, TX 79701
 SALES@CENTURYGS.COM
 WWW.CENTURYGS.COM